

## DESCRIPTION

- 3 antenna models for GPS or GLONASS or GALILEO synchronisation.
- An antenna model for synchronization GPS and GLONASS.
- Antenna for outdoor installation.
- The domed shape prevents the accumulation of snow, leaves, etc., which could disrupt reception of the signal.
- An orange LED means the antenna is in operation:
  - Flashes once per second when the antenna is synchronised.
  - Continuously lit when the antenna is not synchronised.
  - Unlit if there is no power.
- The LED is visible on the side of the antenna and from below.
- **Immunity to GPS rollover.**



## COMPLIANCE

- Directive EMC 2014/30/EU
- Directive LVD 2014/35/EU
- Directive RED 2014/53/EU

## ELECTRICAL FEATURES

• <b>Passive antenna gain</b> .....	+5 dBi.
• <b>Receiver</b> .....	L1 = 1 575 MHz (GPS) / L1 = 1575.42 MHz (GALILEO) / L1 = 1598.0625 MHz (GLONASS).
• <b>Data transmitted</b> .....	NMEA 0183, transmission by RS485 at 4800 bauds, 8 data bits, 2 stop, no parity.
• <b>Transmission</b> .....	Every second, the ZDA time message then GGA.
• <b>Connection to the product to be synchronised</b> .....	1 LIYY cable (2x 0.14mm <sup>2</sup> twisted pairs) pre-stripped 5mm wires. sheath PVC Ø4.8mm, color according: DIN47100. IED60332-1-2 flame retardant. Length: 20m (up to 300m possible, cable not supplied).
• <b>Power supply</b> .....	6-20 VDC (from a Sigma, Netsilon or the product to be synchronised).
• <b>Maximum consumption</b> .....	6 VDC/20 VDC: 50 mA
• <b>Maximum cable length</b> .....	6 VDC: 25 m 12 VDC: 300 m 20 VDC: 700 m

## MECHANICAL FEATURES

• <b>Construction</b> .....	White (RAL 9003) PC case, assembly by laser welding.
• <b>Operating temperature</b> .....	-30°C to +70°C.
• <b>Storage temperature</b> .....	-40°C to +85°C.
• <b>Non-condensing relative humidity level at 40°C</b> .....	0 to 95%.
• <b>Protection class</b> .....	IP67, IK04.
• <b>Weight</b> .....	200 g (+ 560 g for the 20 m cable).
• <b>MTBF</b> .....	>80,000 hours

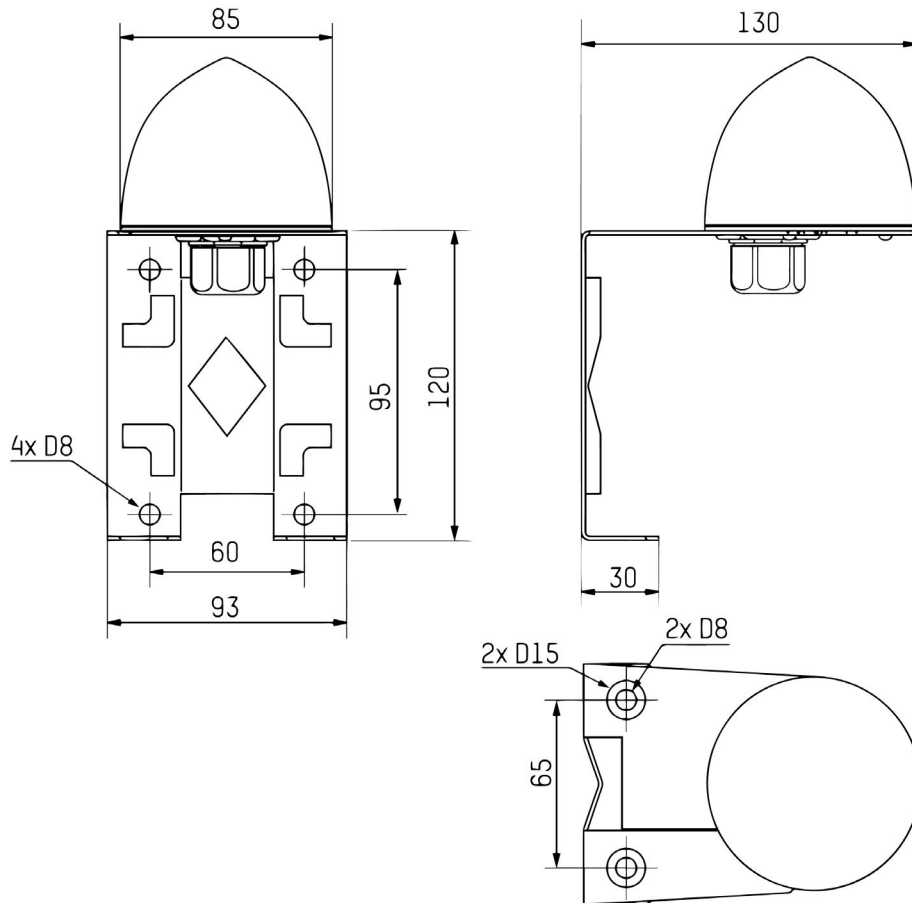
## REFERENCES

• <b>907 034</b> .....	GPS + GLONASS antenna.
• <b>907 047</b> .....	GPS antenna.
• <b>907 044</b> .....	GLONASS antenna.
• <b>907 043</b> .....	GALILEO antenna.

The antennas are delivered with the installation manual, 20-metre cable and the bracket.  
The mounting screws are not included.

DIMENSIONS

Dimensions in mm



INSTALLATION EXAMPLES

