

DESCRIPTION

- Multilingual calendar, SMD LED technology for indoor installation.
- Hours, minutes, date, day and week display.
- Fixed or alternate data on central display: temperature (probe integrated in the clock), seconds, day of the week, week number, day number and possibility to alternate 2 languages out of 14.
- Height of digits 7 cm (letters 5cm), optimal viewing distance: 30 metres.
- Angle of vision: 120°.
- LED colours: red, green, yellow, blue and white.
- Models: independent, impulse, wireless DCF, wireless DHF, AFNOR and NTP.



STANDARDS

- EMC: - EN55032.
- EN55024.
- LVD: EN60950.
- R&TTE (radio models): EN301-489-3.

GENERAL FEATURES

- **Adjustable brightness**..... 4 levels.
- **Display mode**..... 12 or 24 hour.
- **Eco mode**..... Programmable energy saving or predefined over a time period.
- **Time change**..... Automatic summer/winter time changeover and perpetual calendar.
- **Time base backup**..... - Independent model: 15 days in case of power failure.
- Impulse model: in case of power failure, data saving and impulses reception without battery.
- Synchronised models: at each start the clocks wait for the synchronisation signal.
- **Time accuracy**..... 0.2 second/day (except NTP model: precision dependent on the time server).
- **Operation**..... Silent.
- **Digit**..... 7 segments with 4 LEDs each.
- **Hours and minutes separating**..... Colon made of LEDs.
- **Configuration**..... 2 capacitive buttons.
- **NTP model**..... - Synchronisation unicast, multicast and by DHCP.
- Advanced configuration from the embedded web server.

See the product page
>> www.bodet-time.com <<



MECHANICAL FEATURES

- **Construction**..... PC/ABS black (IP30, IK02) and PPMA Poly (methyl methacrylate) cristal.
- **Operating temperature range**..... -5 to +55°C.
- **Weight**..... 0.965 Kg.
- **Dimensions**..... 320 x 320 x 73 mm (see on the back).

ELECTRICAL FEATURES

- **Power supply**..... - Independent, impulse, AFNOR and wireless DHF models: 100-240VAC.
- Wireless DCF model: 230VAC.
- NTP model: PoE (Power over Ethernet) – class 0.
- **Consumption max**..... 7 W.
- **Electric protection (except NTP model)**..... Class 2.

STYLE 7 DATE REFERENCES

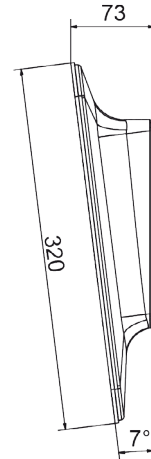
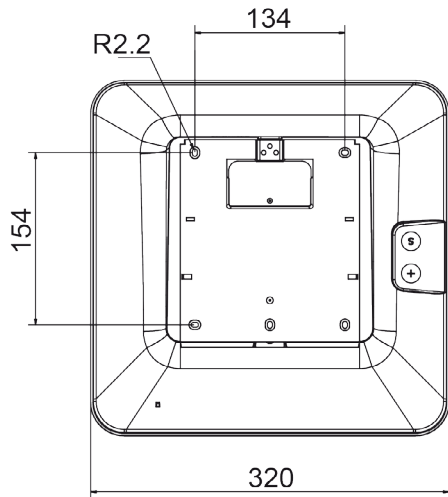
- **946 61x**..... Independent model
- **946 62x**..... Impulse model
- **946 63x**..... DCF model
- **946 64x**..... DHF model
- **946 65x**..... AFNOR model
- **946 67x**..... NTP model
- **946 003**..... Mounting on hanging bracket
- **946 004**..... Wall mounting



• Specify the LED colour by replacing the "x" in the reference number by: 1: red - 2: green - 3: yellow - 4: blue - 5: white

WALL MOUNTING

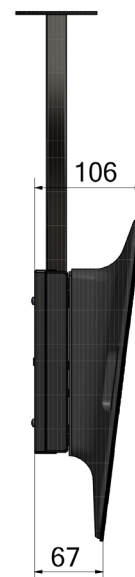
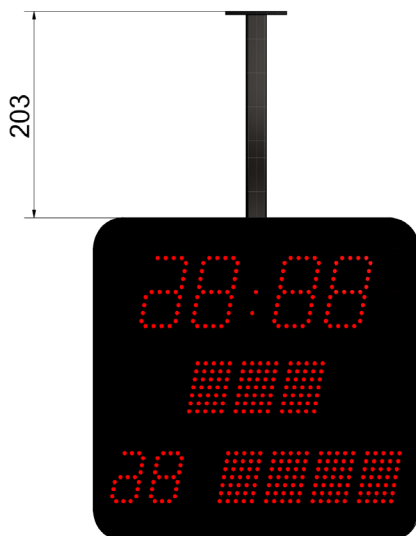
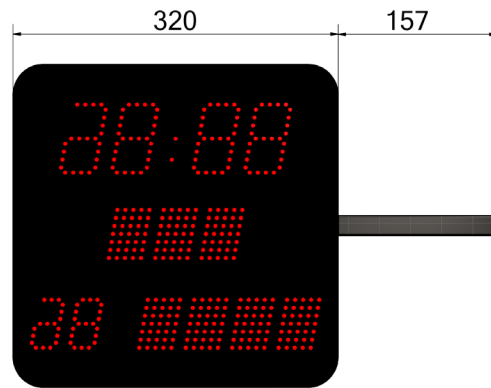
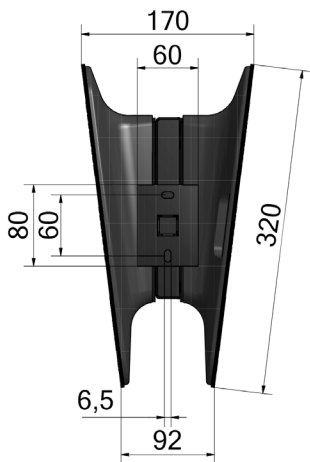
Dimensions in mm



MOUNTING ON HANGING BRACKET

- The hanging bracket makes it possible to hang the clock from the ceiling or from the wall.
- Construction: Steel.
- Colour: Black.

Dimensions in mm



DESCRIPTION

- Style 7D recess mounting digital clock having the same electronics and the same operation than the normal version. However the mechanics are different to allow for recess mounting in a wall.
- LED colours: red.
- Models: independent, impulse, AFNOR and NTP.

RECESSED VERSION



GENERAL FEATURES

- Same as Style 7D normal version (see page 1).

MECHANICAL FEATURES

- **Construction**..... Black steel (IP30, IK02) and PPMA Poly (methyl methacrylate) cristal.
- **Operating temperature range**..... 0 to +50°C.
- **Weight**..... 1.570 kg (NTP: 1.530 kg).
- **Dimensions**..... See next page.

ELECTRICAL FEATURES

- Same as Style 7D normal version (see page 1).

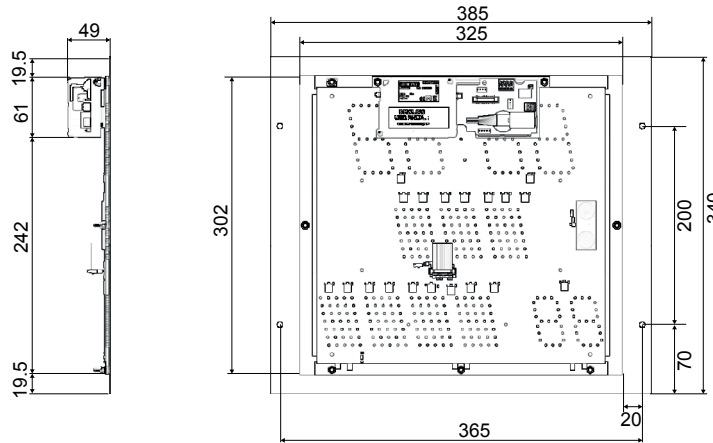
REFERENCES STYLE RECESSED 7D (BY SYNCHRONISATION)

- 946 611 F..... Independent model
- 946 621 F..... Impulse model
- 946 651 F..... AFNOR model
- 946 671 F..... NTP model
- 946 016..... Back cover for recess mounting

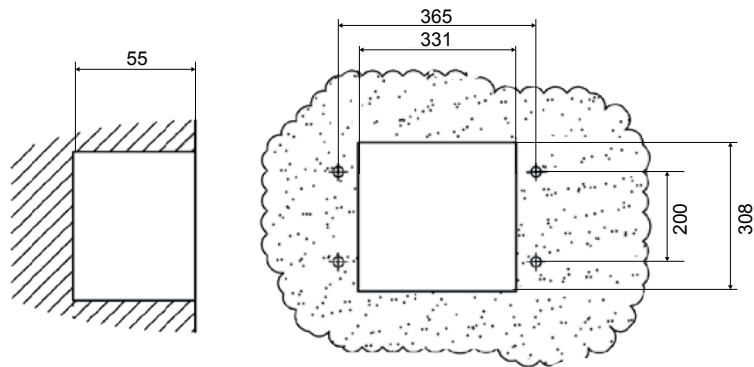
DIMENSIONS

Dimensions in mm

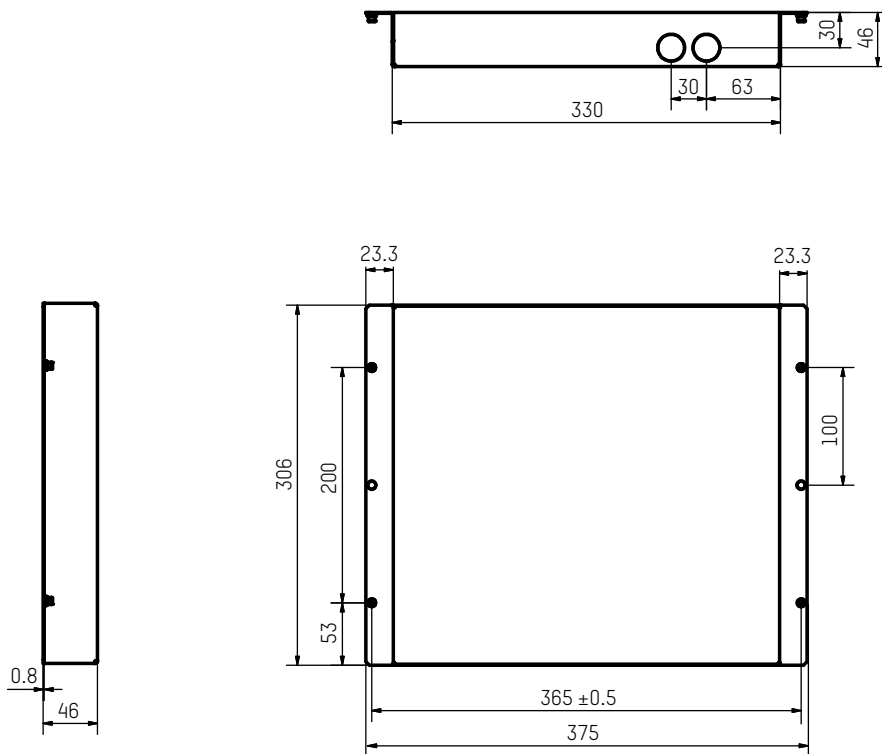
Clock



Size



Recess mounting



WATERPROOF VERSION



DESCRIPTION

- Style 7D waterproof digital clock having the same electronics and the same operation than the normal version. However the mechanics are different to allow for an IP55 Ingress protection rating.
- LED colours: red.
- Models: independent, impulse, AFNOR and NTP.

GENERAL FEATURES

- Same as Style 7D normal version (see page 1).

MECHANICAL FEATURES

- Same as Style 7D normal version (see page 1).
- In order to guarantee an IP55 Ingress Protection, the grommets are waterproof and silicon seals are installed between the bracket and the clock casing.

ELECTRICAL FEATURES

- Same as Style 7D normal version (see page 1).

DIMENSIONS

- Same as Style 7D normal version (see page 2).

REFERENCES STYLE 7D WATERPROOF (BY SYNCHRONISATION)

- 946 611 A..... Independent model
- 946 621 A..... Impulse model
- 946 651 A..... AFNOR model
- 946 671 A..... NTP model