

DESCRIPTION

- SMD LED technology for indoor installation.
- Hours and minutes and revolving second display on ellipse design.
- Fixed or alternate time with date or week number display or temperature (probe integrated in the clock).
- Height of digits 7 cm, optimal viewing distance: 30 metres.
- Angle of vision: 120°.
- LED colours: red, green, yellow, blue and white.
- Display of the seconds by highlighted effect on the moving dot
- Models: independent, impulse, wireless DCF, wireless DHF, AFNOR and NTP.



STANDARDS

- EMC: - EN55032.
- EN55024.
- LVD: EN60950.
- R&TTE (radio models): EN301-489-3.

GENERAL FEATURES

- **Adjustable brightness**..... 4 levels.
- **Display mode**..... 12 or 24 hour.
- **Eco mode**..... Programmable energy saving or predefined over a time period.
- **Time change**..... Automatic summer/winter time changeover and perpetual calendar.
- **Time base backup**..... - Independent model: 15 days in case of power failure.
- Impulse model: in case of power failure, data saving and impulses reception without battery.
- Synchronised models: at each start the clocks wait for the synchronisation signal.
- **Time accuracy**..... 0.2 second/day (except NTP model: precision dependent on the time server).
- **Operation**..... Silent.
- **Digit**..... 7 segments de 4 LEDs each.
- **Second ellipse**..... 60 LEDs.
- **Hours and minutes separating**..... Colon made of LEDs.
- **Configuration**..... 2 capacitive buttons.
- **NTP model**..... - Synchronisation unicast, multicast and by DHCP.
- Advanced configuration from the embedded web server.

See the product page
>> www.bodet-time.com <<



MECHANICAL FEATURES

- **Construction**..... PC/ABS black (IP30, IK02) and PPMA Poly(methyl methacrylate) cristal.
- **Operating temperature range**..... -5 to +55°C.
- **Weight**..... 0.965 Kg.
- **Dimensions**..... 320 x 320 x 73 mm (see on the back).

ELECTRICAL FEATURES

- **Power supply**..... - Independent, impulse, AFNOR and wireless DHF models: 100-240VAC.
- Wireless DCF model: 230VAC.
- NTP model: PoE (Power over Ethernet) – class 0.
- **Consumption max**..... 4.5 W.
- **Electric protection (except NTP model)**..... Class 2.

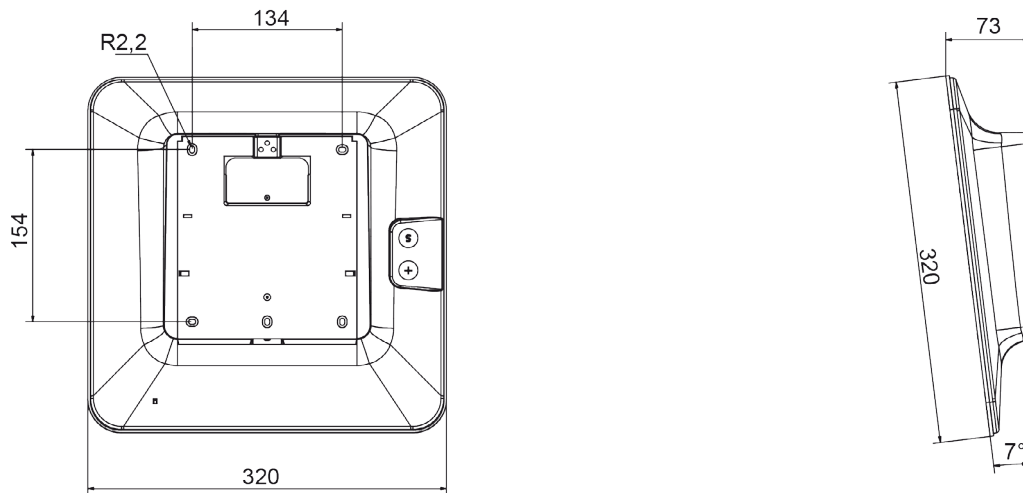
STYLE 7 ELLIPSE REFERENCES (BY SYNCHRONISATION)

- **946 51x**..... Independent model
 - **946 52x**..... Impulse model
 - **946 53x**..... DCF model
 - **946 54x**..... DHF model
 - **946 55x**..... AFNOR model
 - **946 57x**..... NTP model
 - **946 003**..... Mounting on hanging bracket
 - **946 004**..... Wall mounting
- Specify the LED colour by replacing the "x" in the reference number by: 1: red - 2: green - 3: yellow - 4: blue - 5: white



WALL MOUNTING

Dimensions in mm



MOUNTING ON HANGING BRACKET

- The hanging bracket makes it possible to hang the clock from the ceiling or from the wall.
- Construction: Steel.
- Colour: Black.

Dimensions in mm

