

# TOWER CLOCK LUMINOUS DIAL

## DESCRIPTION

With its aesthetics this dial can showcase your bell tower or your city hall. It is equipped with the economical and high luminosity LED technology. The life span of the LEDs is about 10 years (LEDS on 8h/day). The figures and the hands are lit at night to make the reading of the time easy.



Changes in the dial throughout the day.



Cholet station

## GRAPHICS

- Our luminous dial sizes range from Ø 1 to Ø 2 meters.
- Standard graphics: figures C1 to C5 and hands **A1** or **A2**. No marking option.
- Other graphics and colors can be had as options pending a specific study by our technicians.



A1 - C1



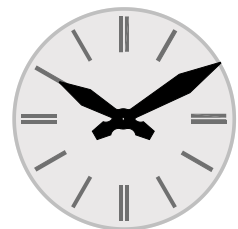
A2 - C2



A1 - C3



A2 - C4



A2 - C5



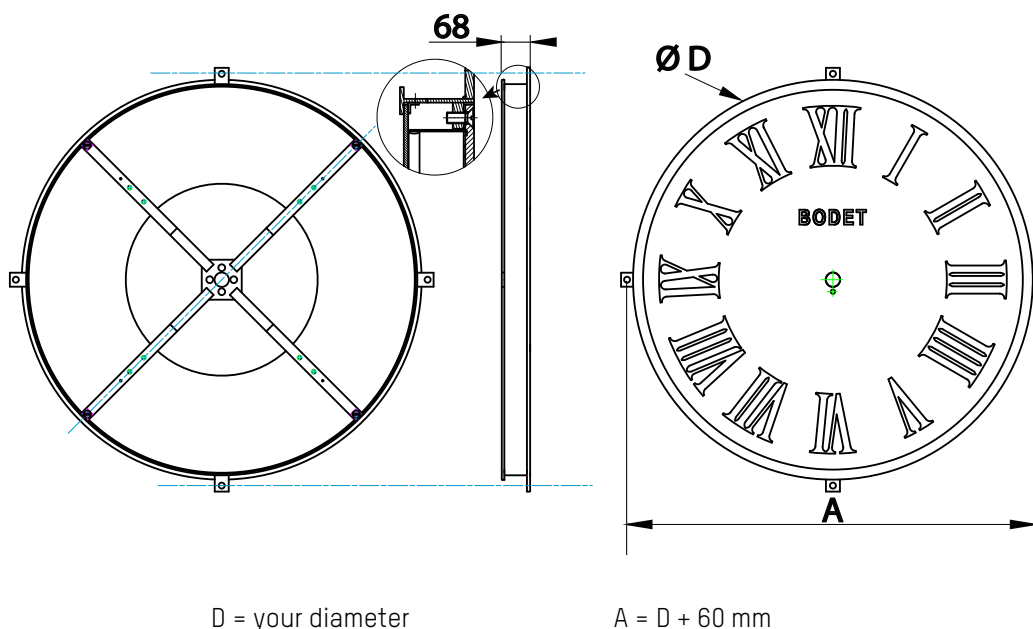
# TOWER CLOCK LUMINOUS DIAL

## GENERAL FEATURES

- High luminosity, low consumption LED: from 31 to 55 W.
- Frame made of steel zinc treated against corrosion and painted black.
- Poly (methyl methacrylate) dial (PMMA).
- 6.8 cm thick dial which can be adapted to all types of building frontage.
- Compatible with all the clock movements of the Bodet range 0.5M to 2M.
- Complies with the EN 60950-1 norm.
- According to the diameter, each dial is equipped with an appropriate number of LEDs and with a 240VAC/12V power supply unit.
- Consumption:

Clock	1 m	1.2 m	1.4 m	1.6 m	1.8 m	2 m
Consumption	31 W	35.6 W	40 W	44.6 W	49 W	51.6 W

- Ingress protection: movement - IP53,  
lighting - IP44.
- Possibility to use a twilight switch if the installation does not use a control center unit.
- Dimensions:



Distinctive technological feature of the Bodet luminous dial:

- During the day the dial background is white and the figures are black,
- At night everything is reversed, the background becomes black and the figures become luminous.

## REFERENCES

911 623	LED luminous dials from 1m to 1m19
911 633	LED luminous dials from 1m20 to 1m39
911 643	LED luminous dials from 1m40 to 1m59
911 653	LED luminous dials from 1m60 to 1m79
911 663	LED luminous dials from 1m80 to 2m